



## 2-HOUR FIREPROOF FILE

### FIREPROOF INSULATION

is ThermoCell® II, an advanced proprietary formula with enhanced thermal properties and is reinforced by a steel lattice made of 14-gauge galvanized welded steel wire.

### FIELD REPLACEABLE STEEL PANELS

In the event that any panel is damaged, it can easily be replaced.

### FINISH

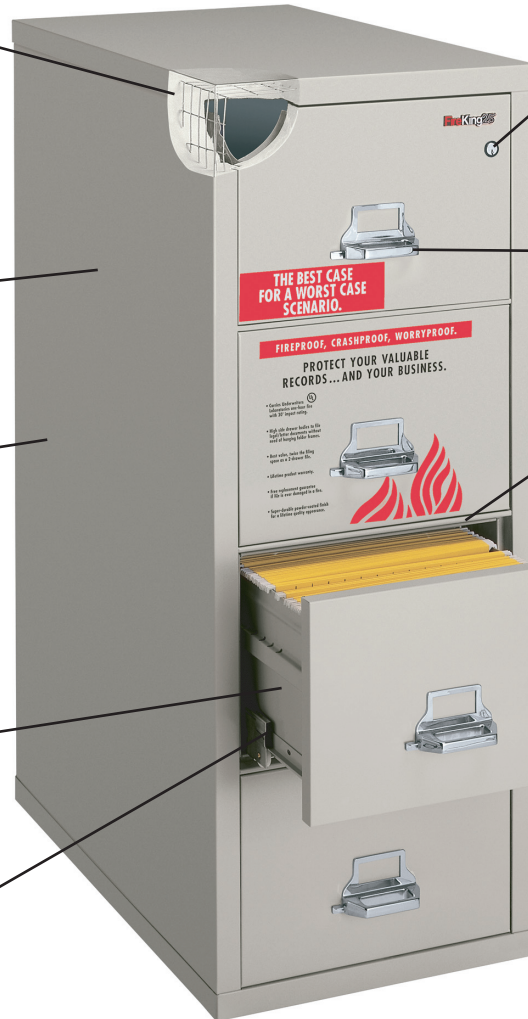
is an environmentally friendly electrostatic powder coating applied to all sides, including bottom. The finish is scratch-resistant, providing a lifetime quality appearance.

### DRAWER BODIES

are built with high sides for use with hanging folders - no additional frames are required.

### DRAWER SUSPENSIONS

are maintenance free and are guaranteed for life.



### DRAWER LOCKS

on all files provide general locking of all drawers through either UL®-listed high security Medeco® key locks or UL-listed combination locks, or both.

### DRAWER PULLS

are surface mounted to allow for extra insulation inside the drawer heads.

### INSULATION BETWEEN ALL DRAWERS

makes each drawer a separate insulated container.

### 2-POSITION DRAWER CATCH

allows access to certain drawers while others remain locked.

### DRAWER HEADS

are formed of welded steel and filled with fireproof gypsum insulation, and are field replaceable.

### Model: 4-2157-2 Four Drawer Legal File

Exterior Dimensions: 57"H x 21 7/32"W x 32 1/16"D  
Interior Dimensions: 11 25/32"H x 15 1/4"W x 26"D (per drawer)  
Approx. Ship Wt. 1021 lbs

### UL Testing

This file meets the rigorous standards of the UL Class 350 2-Hour Record Protection Equipment Test for Fire and Impact. This means they have passed stringent tests for fire endurance, explosion hazard and impact.

### Warranty

If a mechanical or operable part of a FireKing records container malfunctions or breaks down during normal use, FireKing will, at our option, repair or replace such part free for as long as the original purchaser owns the product (2 years for labor expenses).

### Replacement Guarantee

If a FireKing file sustains any damage while protecting records from a fire, FireKing will replace it free of charge.

# SPECIFICATIONS

## 2-HOUR VERTICAL LEGAL FILES



**FIREPROOF INSULATION** is Thermocell II, reinforced by a 1" by 2" lattice made of 14-gauge galvanized welded steel wire, providing complete peace of mind from fire, impact, or explosion.

**FIELD REPLACEABLE STEEL PANELS** can easily be replaced in the event that any panel is damaged.

**FINISH** is an environmentally-friendly electrostatic powder coating applied to all sides, including bottom. The finish is scratch-resistant, providing a lifetime quality appearance. Standard colors available include: parchment, tan, taupe, brown, black, sand, champagne, platinum, and pewter.

**DRAWER BODIES** are built with high sides for use with hanging folders – no additional frames are needed. Each file includes 1 follower block per drawer.

**DRAWER SUSPENSIONS** are maintenance free.

**DRAWER LOCKS** are UL®-listed Medeco high-security key locks.

**DRAWER PULLS** are surface mounted to allow for extra insulation inside the drawer heads.

**INSULATION BETWEEN ALL DRAWERS** makes each drawer a separate insulated container.

**WATER RESISTANCE** means files are designed to prevent water damage resulting from sprinklers and fire hoses.

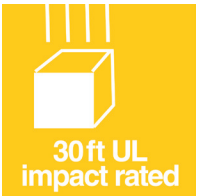
**2-POSITION DRAWER CATCH** allows access to certain drawers while others remain locked.

**DRAWER HEADS** are formed of welded steel and filled with fireproof insulation, and are field replaceable.

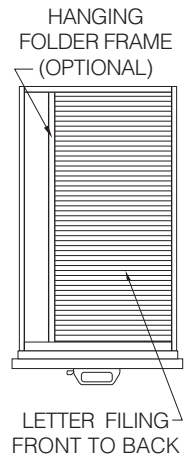
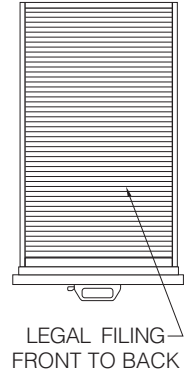
**UNDERWRITERS LABORATORIES® (UL®) FIRE & IMPACT RATING** on all file cabinets. These models carry the 2-Hour Class 350 Fire with Impact UL label. Tests include 2 hour exterior fire exposure at 1850°F, a 2000°F explosion test, and a 30 foot drop to test impact integrity.

**OPTIONAL UPGRADES** are available to enhance your file's appearance or functionality. Upgrades available include custom color finishes, standard lock options, casters, and interior options such as hanging folder frames, document inserts, trays, and inner drawers.

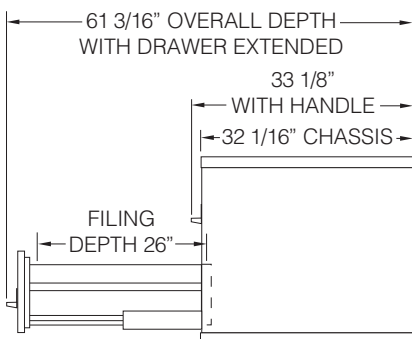
**FIREKING'S 3-YEAR LIMITED WARRANTY** includes parts and labor provided by a factory authorized technician. Beyond the base warranty, if your FireKing file is ever required to protect your documents in a fire and its protective properties are damaged, FireKing will replace the file free of charge.



### Filing Arrangements:

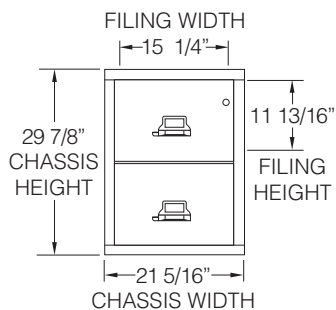


### SIDE VIEW:



### MODEL 2-2130-2:

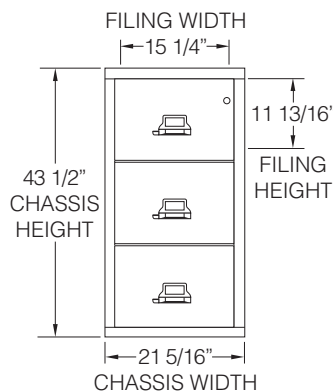
592 lbs (avg. ship wt.)



Dimensions  
± 1/16 inch

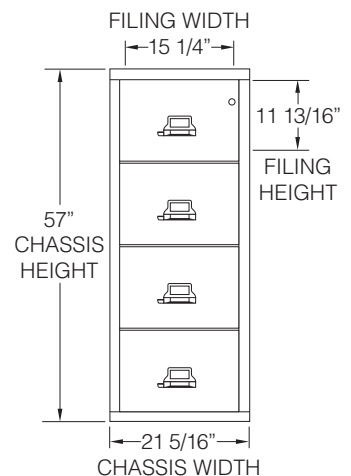
### MODEL 3-2144-2:

651 lbs (avg. ship wt.)



### MODEL 4-2157-2:

1021 lbs (avg. ship wt.)



FireKing Security Group  
101 Security Pkwy • New Albany IN 47150  
800.457.2424 / 812.948.8400  
www.fireking.com